

■ HYDRAULIC INSPECTION ■

TEST PRESSURE MPa (kgf/cm ²)	BODY	0.5 [5.1]
	SEAT	0.2 [2.0]

10	COUNTER WEIGHT	Pb	1	
9	STUD NUT	C3604BD	1set	
8	STUD BOLT	C3771BD	1set	
7	GASKET	RUBBER	1	
6	GASKET	NON ASBESTOS	1	
5	VALVE AXLE	SUS304	2	
4	VALVE PLATE	C2600P	1	
3	VALVE LEVER	BC6	1	
2	BONNET	BC6	1	
1	BODY	BC6	1	

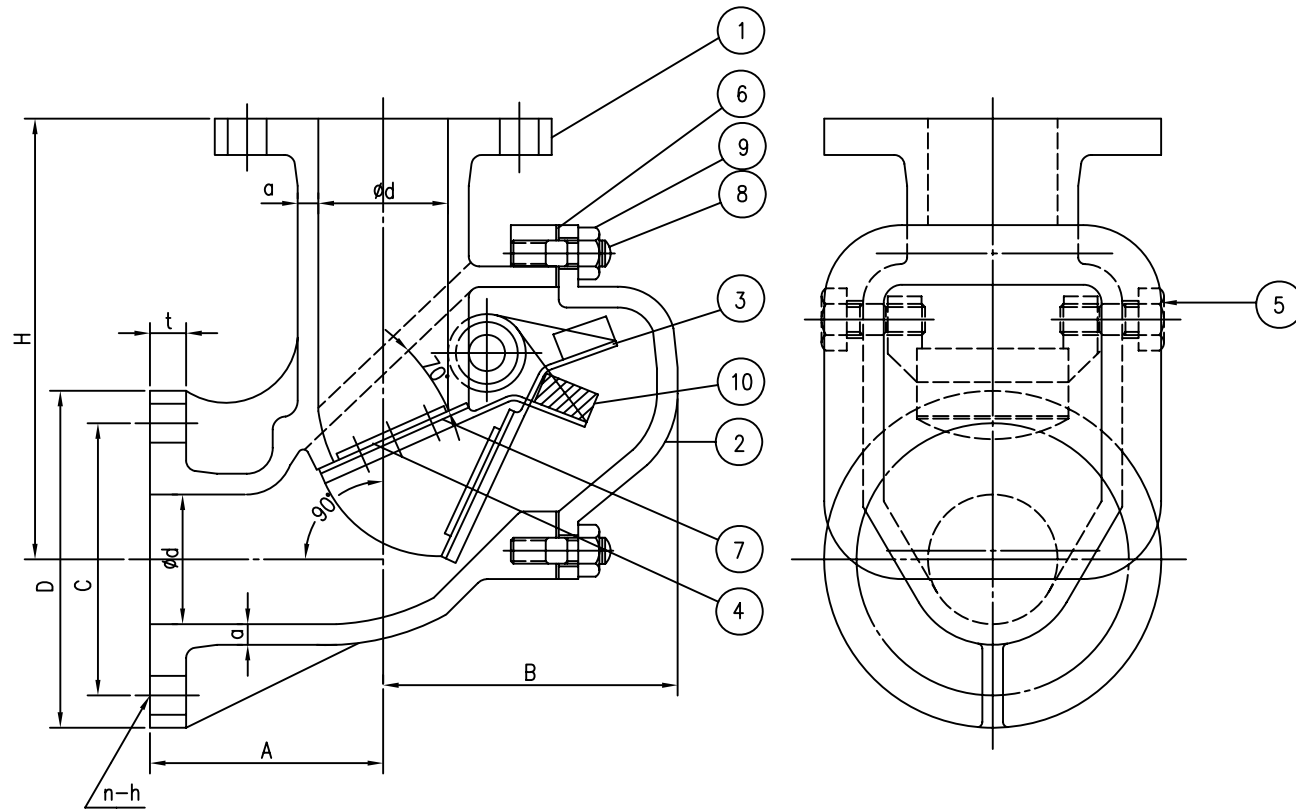
NO.	NAME OF PART	MATERIAL	Q'TY	REMARK	
REV	DATE	DESCRIPTION OF REASON	DRAW'G	CHK'D	APP'D

DESCRIPTION					JIS F3058 CAST STEEL 5kgf/cm ² ANGLE STORM VALVES				
DRAW'G	CHK'D	APP'D	SCALE	NON					
H.J.YUN	S.M.BAB	S.M.BAB	UNIT	(mm) inch					
			PROJECT						
DATE	06.11.16	DWG NO.	KS-SC-AGST-1-A1	REV	0				

(Unit: mm)

Nominal dia	Flange										
	d	D	Bolt holes			Nominal dia. of bolt	t	a	H	A	B
			P.C. dia C	No	h						
50	50	130	105	4	15	M12	14	8	170	90	110
65	65	155	130	4	15	M12	14	9	200	110	130
80	80	180	145	4	19	M16	14	9	220	120	140
100	100	200	165	8	19	M16	16	10	250	130	165
125	125	235	200	8	19	M16	16	11	270	150	180
150	150	265	230	8	19	M16	18	12	310	165	205
200	200	320	280	8	23	M20	20	13	400	190	255

技星金屬株式會社
 KEY SUNG METAL CO., LTD.



■ HYDRAULIC INSPECTION ■

TEST PRESSURE MPa (kgf/cm ²)	BODY	0.5 [5.1]
	SEAT	0.2 [2.0]

10	COUNTER WEIGHT	Pb	1	
9	STUD NUT	C3604BD	1	
8	STUD BOLT	C3771BD	1set	
7	GASKET	RUBBER	1	
6	GASKET	NON ASBESTOS	1	
5	VALVE AXLE	SUS304	2	
4	VALVE PLATE	C2600P	1	
3	VALVE LEVER	BC6	1	
2	BONNET	BC6	1	
1	BODY	BC6	1	

NO.	NAME OF PART	MATERIAL	Q'TY	REMARK	
REV	DATE	DESCRIPTION OF REASON	DRAW'G	CHK'D	APP'D

DESCRIPTION		REF JIS F3058 CAST STEEL 10kgf/cm ² ANGLE STORM VALVES			
DRAW'G	CHK'D	APP'D	SCALE	NON	
S.H.BACK			UNIT	(mm) inch	
			PROJECT		
DATE	06.11.16	DWG NO.	KS-SC-AGST-2-A1	REV	0

(Unit: mm)

Nominal dia	Flange										
	d	D	Bolt holes			Nominal dia. of bolt	t	a	H	A	B
			P.C. dia C	No	h						
50	50	155	120	4	19	M16	16	8	170	90	110
65	65	175	140	4	19	M16	18	9	200	110	130
80	80	185	150	8	19	M16	18	9	220	120	140
100	100	210	175	8	19	M16	18	10	250	130	165
125	125	250	210	8	23	M20	20	11	270	150	180
150	150	280	240	8	23	M20	22	12	310	165	205
200	200	330	290	12	23	M20	22	13	400	190	255

技星金屬株式會社
 KEY SUNG METAL CO., LTD.