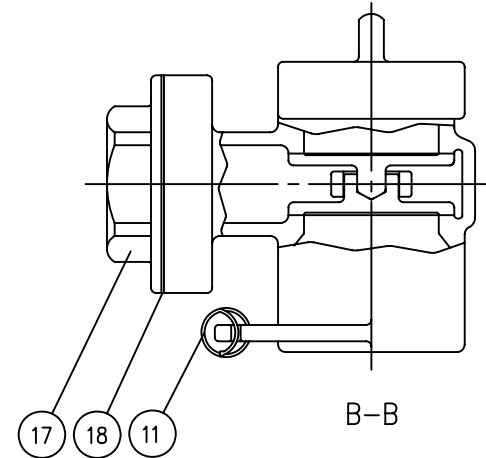
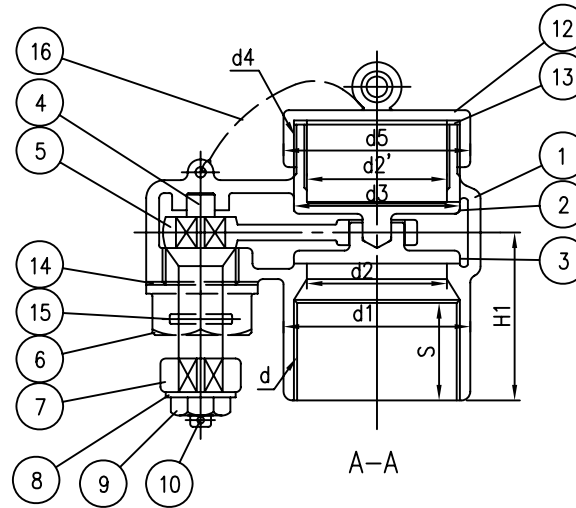
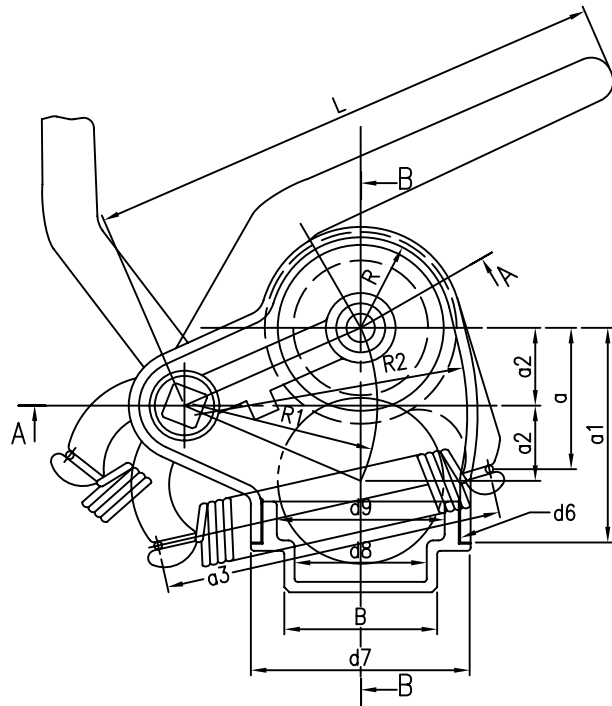


■ HYDRAULIC INSPECTION ■

TEST PRESSURE MPa (kgf/cm ²)	BODY	0.30 {3.0}
	SEAT	0.20 {2.0}



(Unit: mm)

Nominal	BODY												BONNET				SCREW				
	d1	d2	d3	R	R1	R2	S	H	a	a1	a2	L	d5	a3	d7	d8	d9	B	d	d4	d6
40	58	35	43	27	60	87	30	54	35	60	19.5	180	58	109	68	42	50	50	PF11/2	PF11/2	M60x2
50	70				70	103	35	60											PF 2		
65	85	50	60	33	75	108	40	65	50	75	27.5	200	70	119	78	48	60	56	PF21/2	PF2	M70x2
80	100				75	108	45	75	60										PF 3		

18	GASKET	RUBBER		
17	BONNET	BC6		
16	CHAIN	C2600W		
15	PACKING	RUBBER		
14	GASKET	RUBBER		
13	GASKET	RUBBER		
12	CAP	BC6		
11	SPRING	C5101W		
10	SPRIT PIN	C2600W		
9	HEXAGON NUT	C3604BD		
8	WASHER	C2600P		
7	HANDLE	FC20		
6	PACKING CASE	BC6		
5	LEVER	BC6		
4	OPERATION SPINDLE	C3771BD		
3	DISC	BC6		
2	DISC	BC6		
1	BODY	BC6		

NO.	NAME OF PART	MATERIAL	Q'TY	REMARK	
REV	DATE	DESCRIPTION OF REASON	DRAW'G	CHK'D	APP'D

DESCRIPTION		JIS F3019 SELF CLOSING GATE VALVE HEADS FOR SHORT SOUNDING PIPE			
DRAW'G	CHK'D	APP'D	SCALE	NON	
H.J.YUN	S.M.BAB	S.M.BAB	UNIT	(mm) inch	
DATE	06.11.16	DWG NO.			REV 0


 技星金屬株式會社
 KEY SUNG METAL CO., LTD.